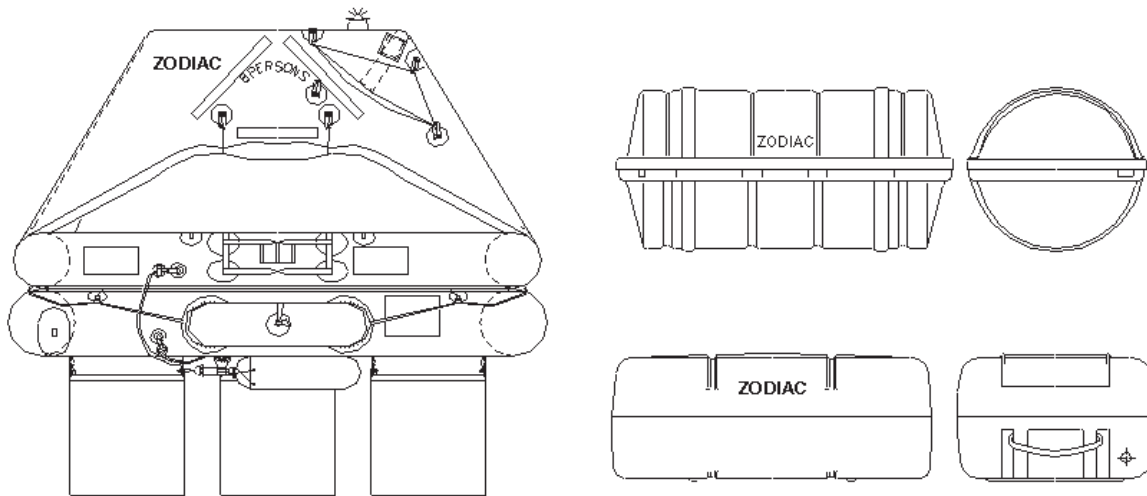


**Built
for Life!**

ZODIAC SOLAS LIFERAFTS

ZODIAC EXTENDED SERVICE (TRANSPORT CANADA APPROVED)



FEATURES: Zodiac's patented extended service liferafts provide up to 2.5 years (30 months) between the service intervals, providing savings to vessel owners and operators. An additional benefit of the extended service pack is that the liferaft does not have to be removed, transported and re-installed annually.

These durable liferafts have been designed for commercial vessels operating offshore where SOLAS approvals are required. Unique features of this range are the availability of a low profile container that can be mounted either vertically or horizontally providing more installation options and the protective pouch the liferaft is packed in, providing the extended service benefit. The LPC containers are available in the 4 to 8 person sizes only.

- Extended service up to 30 months between service intervals.
- Reduced handling-benefits owner/operators by reducing costs.
- Available in sizes from 4 – 50 person capacity.
- Transport Canada/SOLAS approved.
- Thermo bonded polyurethane construction.
- Extensive service station network.
- Packed in a watertight, sealed protective pouch, providing better protection from the harsh marine conditions.
- Self bailer (6-50 person only).
- Instant foam insulated floors (no inflation required).





EQUIPMENT PACKS:

EQUIPMENT PACK CONTENTS	SOLAS A	SOLAS B	
Pump	1	1	
Sea Anchor	2	2	
Bailer	1	1	
Repair kit	1	1	
Knife	1	1	
Signal mirror	1	1	
Flashlight with spare batteries & bulb	1	1	
Set of leak stoppers	1	1	
Whistle	1	1	
Sponges	2	2	
Paddles	1 pr	1 pr	
Pressure relieve valve plugs	1 set	1 set	
Sea sick bags	1/person	1/person	
Life saving signals	1	1	
First aid kit (TC/Solas)	1	1	
Parachute rocket	4	2	
Hand flares	6	3	
Smoke floats	2	1	
Radar reflector	1	1	
Anti-seasick pills	6/person	6/person	
Rescue quoit & line	1	1	
Immediate action instruction card	1	1	
Liferaft owners manual	1	1	
Thermal protective aids (TPA's)	2 or 10%	2 or 10%	
Can opener	3	3	
Drinking vessel	1	1	
Water	1.5L /person		
Emergency rations	.5kg/person		

DIMENSIONS:

CAPACITY	PACK	LOW PROFILE CONTAINER DIMENSIONS L x W x H	WEIGHT	ROUND CONTAINER DIMENSIONS L x D	WEIGHT
4 PERSON	SOLAS 'A'	90cm x 56cm x 35cm (36" x 22" x 14")	57kg (126lb)	N/A	N/A
	SOLAS 'B'	90cm x 56cm x 35cm (36" x 22" x 14")	46kg (102lb)	N/A	N/A
6 PERSON	SOLAS 'A'	97cm x 50cm x 38cm (38" x 24" x 15")	66kg (146lb)	116cm x 56cm (46" x 22")	66kg (146lb)
	SOLAS 'B'	90cm x 56cm x 35cm (36" x 22" x 14")	50kg (110lb)	116cm x 56cm (46" x 22")	54kg (114lb)
8 PERSON	SOLAS 'A'	109cm x 67cm x 39cm (43" x 26" x 16")	80kg (177lb)	116cm x 56cm (46" x 22")	77kg (170lb)
	SOLAS 'B'	97cm x 60cm x 38cm (38" x 24" x 15")	58kg (128lb)	116cm x 56cm (46" x 22")	60kg (133lb)
12 PERSON	SOLAS 'A'	N/A	N/A	128cm x 61cm (50" x 24")	92kg (203lb)
	SOLAS 'B'	N/A	N/A	116cm x 56cm (46" x 22")	64kg (141lb)
16 PERSON	SOLAS 'A'	N/A	N/A	128cm x 68cm (50" x 27")	128kg (282lb)
	SOLAS 'B'	N/A	N/A	128cm x 61cm (50" x 24")	90kg (198lb)
20 PERSON	SOLAS 'A'	N/A	N/A	128cm x 80cm (50" x 32")	149kg (324lb)
	SOLAS 'B'	N/A	N/A	128cm x 68cm (50" x 27")	98kg (216lb)
25 PERSON	SOLAS 'A'	N/A	N/A	128cm x 80cm (50" x 32")	173kg (381lb)
	SOLAS 'B'	N/A	N/A	128cm x 68cm (50" x 27")	116kg (256lb)
50 PERSON	SOLAS 'A'	N/A	N/A	156cm x 96cm (61" x 38")	375kg (827lb)
	SOLAS 'B'	N/A	N/A	156cm x 85cm (61" x 33")	255kg (562lb)

Container dimensions and weights are approximate. Specifications subject to change without notice.